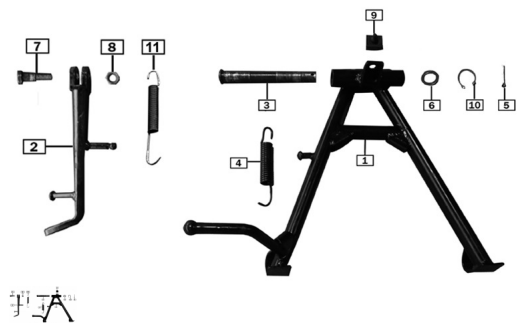


## GRUPO CABALLETE



Rating: Not Rated Yet

**Price:**

Variant price modifier:

Base price with tax:

Price with discount:

Salesprice with discount:

Sales price:

Sales price without tax:

Discount:

Tax amount:

[Ask a question about this product](#)

| Description | Ref. | Título         | Código    |
|-------------|------|----------------|-----------|
|             | 1    |                | 195-32200 |
|             | 2    | SOSTÉN LATERAL | 195-32130 |
|             | 3    | EJE CABALLETE  | 195-32281 |
|             | 4    | RESORTE        | 195-32202 |
|             | 5    |                | 195-B0009 |
|             | 6    |                | 195-91301 |

| Ref. | Título | Código                                   |           |
|------|--------|--|-----------|
|      | 7      | TORNILLO                                 | 195-91113 |
|      | 8      | TUERCA<br>M6                             | 195-B0617 |
|      | 9      | GOMA DEL<br>SOPORTE<br>DEL CABA<br>LLETE | 195-32204 |
|      | 10     | SEGURO<br>SEGGER                         | 195-B0089 |
|      | 11     | RESORTE<br>SOSTÉN<br>LATERAL             | 195-32102 |